

The BF construction has a seal body that is made of a blind flange. The weld of the diaphragm to the seal body is a wetted part and therefore diaphragm materials are mostly chosen the same as the flange material. The BF is typically used in combination with (differential) pressure transmitters for applications such as level, flow and (absolute) pressure measurement.



STANDARD EXECUTION

DIAPHRAGM	BODY	MOUNTING CONNECTION
AISI 316(L)	AISI 316(L)	top (axial)
FACING	FACING TYPE	
RF	B1	

FLANGED PROCESS CONNECTIONS

ASME B16.5

size	rating	dD
1"	cl. 150 - cl. 2500	23.0mm
1.25"	cl. 150 - cl. 2500	32.0mm
1.5"	cl. 150 - cl. 600	44.0mm
1.5"	cl. 900 - cl. 2500	32.0mm
2"	cl. 150 - cl. 600	57.0mm
2"	cl. 900 - cl. 2500	44.0mm
3"	cl. 150 - cl. 2500	81.0mm
4"	cl. 150 - cl. 2500	81.0mm

EN 1092-1

size	rating	dD
DN20	PN10 – PN400	23.0mm
DN25	PN10 – PN400	32.0mm
DN32	PN10 – PN400	32.0mm
DN40	PN10 – PN400	44.0mm
DN50	PN10 – PN400	57.0mm
DN80	PN10 – PN400	81.0mm
DN100	PN10 – PN400	81.0mm

API ISO 10423

size	rating	facing	dD
1-13/16"	69 – 138 MPa	6BX - RJF	32.0mm
2-1/16"	13.8 MPa	6B - RJF	44.0mm
2-1/16"	20.7 – 34.5 MPa	6B - RJF	44.0mm
2-1/16"	69 – 138 MPa	6BX - RJF	44.0mm
2-9/16"	13.8 MPa	6B - RJF	72.0mm
2-9/16"	20.7 – 34.5 MPa	6B - RJF	81.0mm
2-9/16"	69 – 138 MPa	6BX - RJF	57.0mm
3-1/16"	69 – 138 MPa	6BX - RJF	72.0mm
3-1/8"	13.8 – 34.5 MPa	6BX - RJF	81.0mm

JIS B2220

Size	rating	facing	dD
25 (1")	10K – 20K	RF	32.0mm
32 (1.25")	10K – 20K	RF	44.0mm
40 (1.5")	10K – 20K	RF	44.0mm
50 (2")	10K – 20K	RF	57.0mm
80 (3")	10K – 20K	RF	81.0mm
90 (3.5")	10K – 20K	RF	81.0mm
100 (4")	10K – 20K	RF	81.0mm

Note: JIS RF facing roughness is Ra 3.2-6.3 µm

WETTED PARTS, BODY MATERIALS, AND FACING OPTIONS

body material	diaphragm material
AISI 316(L)	AISI 316(L)
	AISI 304L
	AISI 321
	AISI 316 UG
	Hastelloy C-276
	Wst. 1.4435
AISI 904(L)	AISI 904(L)
AISI 310 MoLn	25-22-2 LMN
Duplex F44	254 SMO (6Mo)
Duplex F51/F60	Duplex 2205
Duplex F53	Super Duplex 2507
Duplex F55	Super Duplex 2507
Hastelloy B2	Hastelloy B2
Hastelloy C-276	Hastelloy C-276
Alloy 20	Alloy 20
Inconel 600	Inconel 600
Inconel 625	Inconel 625
Inconel 825	Inconel 825
Monel 400	Monel 400
Nickel 201	Nickel 201
Titanium Gr. 2	Titanium Gr. 1
Zirconium 702	Zirconium 702

facing (ASME B16.5)	
RF	Ra 3.2-6.3 µm
RJF	Ra <1.6 µm
LMF	Ra 3.2-6.3 µm
SMF	Ra <3.2 µm
FF	Ra 3.2-6.3 µm
LTF	Ra <3.2 µm
STF	Ra <3.2 µm
LGF	Ra <3.2 µm
SGF	Ra <3.2 µm
LFF	Ra 3.2-6.3 µm
SFF	Ra <3.2 µm

facing type (EN 1092-1)	
B1	Ra 3.2-12.5 µm
A	Ra 3.2-12.5 µm
B2	Ra 0.8-3.2 µm
C	Ra 0.8-3.2 µm
D	Ra 0.8-3.2 µm
E	Ra 3.2-12.5 µm
F	Ra 3.2-12.5 µm
G	Ra 0.8-3.2 µm
H	Ra 0.8-3.2 µm

COATING AND OTHER OPTIONS

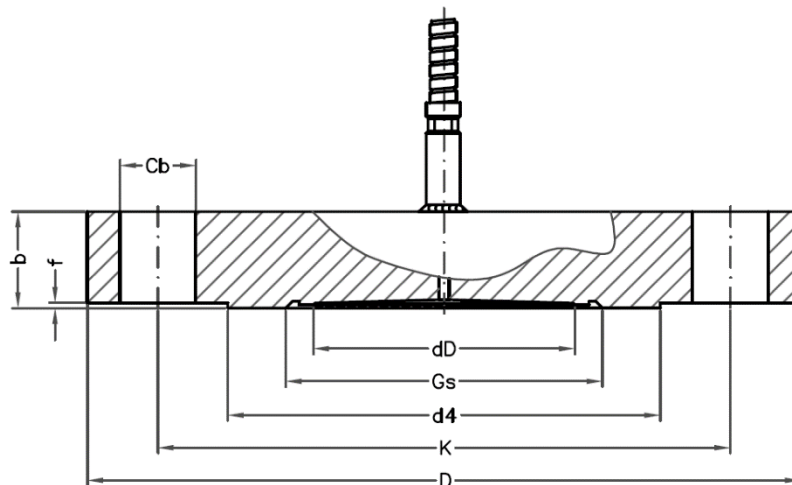
COATINGS

- gold: 25 µm / 40 µm chemical resistance and/or hydrogen permeation protection (facing and/or diaphragm)
- PTFE / ECTFE for anti-stick purpose only
- FEP / PFA
- thermal spray

OTHER OPTIONS

- set of handles welded on side of flange
- heavy duty capillary tube
- TR - temperature reducer
- TC - temperature compensator
- capillary side mounted (radial)
- LGP – execution for low pressures
- degreasing of wetted parts

DRAWING AND DIMENSIONS STANDARD EXECUTIONS



ASME B16.5 - RF FACING

size	rating	facing	dD	b	D	d4	f	Gs	K	Cb / pcs
1"	cl. 150	RF	23.0	14.7	110.0	50.8	2.0	31.8	79.4	15.9 / 4x
1"	cl. 300	RF	23.0	17.9	125.0	50.8	2.0	31.8	88.9	19.1 / 4x
1"	cl. 400-600	RF	23.0	24.5	125.0	50.8	7.0	31.8	88.9	19.1 / 4x
1"	cl. 900-1500	RF	23.0	35.6	150.0	50.8	7.0	31.8	101.6	25.4 / 4x
1"	cl. 2500	RF	23.0	42.0	160.0	50.8	7.0	31.8	108.0	25.4 / 4x
1.25"	cl. 150	RF	32.0	17.9	115.0	63.5	2.0	41.5	88.9	15.9 / 4x
1.25"	cl. 300	RF	32.0	19.5	135.0	63.5	2.0	41.5	98.4	19.1 / 4x
1.25"	cl. 400-600	RF	32.0	27.7	135.0	63.5	7.0	41.5	98.4	19.1 / 4x
1.25"	cl. 900-1500	RF	32.0	35.6	160.0	63.5	7.0	39.8	111.1	25.4 / 4x
1.25"	cl. 2500	RF	32.0	45.1	185.0	63.5	7.0	39.8	130.2	28.6 / 4x
1.5"	cl. 150	RF	44.0	17.9	125.0	73.0	2.0	52.4	98.4	15.9 / 4x
1.5"	cl. 300	RF	44.0	21.1	155.0	73.0	2.0	52.4	114.3	22.3 / 4x
1.5"	cl. 400-600	RF	44.0	29.3	155.0	73.0	7.0	52.4	114.3	22.3 / 4x
1.5"	cl. 900-1500	RF	32.0	38.8	180.0	73.0	7.0	41.5	123.8	28.6 / 4x
1.5"	cl. 2500	RF	32.0	51.5	205.0	73.0	7.0	41.5	146.0	31.8 / 4x
2"	cl. 150	RF	57.0	19.5	150.0	92.1	2.0	70.2	120.7	19.1 / 4x
2"	cl. 300	RF	57.0	22.7	165.0	92.1	2.0	70.2	127.0	19.1 / 8x
2"	cl. 400-600	RF	57.0	32.4	165.0	92.1	7.0	70.2	127.0	19.1 / 8x
2"	cl. 900-1500	RF	44.0	45.1	215.0	92.1	7.0	55.4	165.1	25.4 / 8x
2"	cl. 2500	RF	44.0	57.9	235.0	92.1	7.0	55.4	171.4	28.6 / 8x
3"	cl. 150	RF	81.0	24.3	190.0	127.0	2.0	93.0	152.4	19.1 / 4x
3"	cl. 300	RF	81.0	29.0	210.0	127.0	2.0	93.0	168.3	22.4 / 8x
3"	cl. 400-600	RF	81.0	38.8	210.0	127.0	7.0	93.0	168.3	22.4 / 8x
3"	cl. 900	RF	81.0	45.1	240.0	127.0	7.0	93.0	190.5	25.5 / 8x
3"	cl. 1500	RF	81.0	54.7	265.0	127.0	7.0	93.0	203.2	31.9 / 8x
3"	cl. 2500	RF	81.0	73.7	305.0	127.0	7.0	93.0	228.6	35.0 / 8x
4"	cl. 150	RF	81.0	24.3	230.0	157.2	2.0	93.0	190.5	19.2 / 8x
4"	cl. 300	RF	81.0	32.2	255.0	157.2	2.0	93.0	200.0	22.4 / 8x
4"	cl. 400	RF	81.0	42.0	255.0	157.2	7.0	93.0	200.0	25.5 / 8x
4"	cl. 600	RF	81.0	45.1	275.0	157.2	7.0	93.0	215.9	25.5 / 8x
4"	cl. 900	RF	81.0	51.5	290.0	157.2	7.0	93.0	235.0	31.9 / 8x
4"	cl. 1500	RF	81.0	61.0	310.0	157.2	7.0	93.0	241.3	35.0 / 8x
4"	cl. 2500	RF	81.0	83.2	355.0	157.2	7.0	93.0	273.0	41.4 / 8x

All dimensions in mm

EN 1092-1 - TYPE B1

size	rating	type	dD	b	D	d4	f	Gs	K	Cb / pcs
DN20	PN10-40	B1	23.0	18.0	105.0	58.0	2.0	33.8	75.0	14.0 / 4x
DN20	PN63-100	B1	23.0	22.0	130.0	58.0	2.0	33.8	90.0	18.0 / 4x
DN20	PN160	B1	23.0	na	na	na	na	33.8	na	na
DN20	PN250	B1	23.0	na	na	na	na	33.8	na	na
DN20	PN320	B1	23.0	na	na	na	na	33.8	na	na
DN20	PN400	B1	23.0	na	na	na	na	33.8	na	na
DN25	PN10-40	B1	32.0	18.0	115.0	68.0	2.0	41.0	85.0	14.0 / 4x
DN25	PN63-100	B1	32.0	24.0	140.0	68.0	2.0	41.0	100.0	18.0 / 4x
DN25	PN160	B1	32.0	24.0	140.0	68.0	2.0	41.0	100.0	18.0 / 4x
DN25	PN250	B1	32.0	28.0	150.0	68.0	2.0	41.0	105.0	22.0 / 4x
DN25	PN320	B1	32.0	34.0	160.0	68.0	2.0	41.0	115.0	22.0 / 4x
DN25	PN400	B1	32.0	38.0	180.0	68.0	2.0	41.0	130.0	26.0 / 4x
DN32	PN10-40	B1	32.0	18.0	140.0	78.0	2.0	41.5	100.0	18.0 / 4x
DN32	PN63-100	B1	32.0	24.0	155.0	78.0	2.0	41.5	110.0	22.0 / 4x
DN32	PN160	B1	32.0	na	na	na	na	41.5	na	na
DN32	PN250	B1	32.0	na	na	na	na	41.5	na	na
DN32	PN320	B1	32.0	na	na	na	na	41.5	na	na
DN32	PN400	B1	32.0	na	na	na	na	41.5	na	na
DN40	PN10-40	B1	44.0	18.0	150.0	88.0	3.0	55.4	110.0	18.0 / 4x
DN40	PN63-100	B1	44.0	26.0	170.0	88.0	3.0	55.4	125.0	22.0 / 4x
DN40	PN160	B1	44.0	28.0	170.0	88.0	3.0	55.4	125.0	22.0 / 4x
DN40	PN250	B1	44.0	34.0	185.0	88.0	3.0	55.4	135.0	26.0 / 4x
DN40	PN320	B1	44.0	38.0	195.0	88.0	3.0	55.4	145.0	26.0 / 4x
DN40	PN400	B1	44.0	48.0	220.0	88.0	3.0	55.4	165.0	30.0 / 4x
DN50	PN10-16	B1	57.0	18.0	165.0	102.0	3.0	70.2	125.0	18.0 / 4x
DN50	PN25-40	B1	57.0	20.0	165.0	102.0	3.0	70.2	125.0	18.0 / 4x
DN50	PN63	B1	57.0	26.0	180.0	102.0	3.0	70.2	135.0	22.0 / 4x
DN50	PN100	B1	57.0	28.0	195.0	102.0	3.0	70.2	145.0	26.0 / 4x
DN50	PN160	B1	57.0	30.0	195.0	102.0	3.0	70.2	145.0	26.0 / 4x
DN50	PN250	B1	57.0	38.0	200.0	102.0	3.0	70.2	150.0	26.0 / 8x
DN50	PN320	B1	57.0	42.0	210.0	102.0	3.0	70.2	160.0	26.0 / 8x
DN50	PN400	B1	57.0	52.0	235.0	102.0	3.0	70.2	180.0	30.0 / 8x
DN80	PN10-16	B1	81.0	20.0	200.0	138.0	3.0	93.0	160.0	18.0 / 8x
DN80	PN25-40	B1	81.0	24.0	200.0	138.0	3.0	93.0	160.0	18.0 / 8x
DN80	PN63	B1	81.0	28.0	215.0	138.0	3.0	93.0	170.0	22.0 / 8x
DN80	PN100	B1	81.0	32.0	230.0	138.0	3.0	93.0	180.0	26.0 / 8x
DN80	PN160	B1	81.0	36.0	230.0	138.0	3.0	93.0	180.0	26.0 / 8x
DN80	PN250	B1	81.0	46.0	255.0	138.0	3.0	93.0	200.0	30.0 / 8x
DN80	PN320	B1	81.0	55.0	275.0	138.0	3.0	93.0	220.0	30.0 / 8x
DN80	PN400	B1	81.0	68.0	305.0	138.0	3.0	93.0	240.0	33.0 / 8x
DN100	PN10-16	B1	81.0	20.0	220.0	158.0	3.0	93.0	180.0	18.0 / 8x
DN100	PN25-40	B1	81.0	24.0	235.0	162.0	3.0	93.0	190.0	22.0 / 8x
DN100	PN63	B1	81.0	30.0	250.0	162.0	3.0	93.0	200.0	26.0 / 8x
DN100	PN100	B1	81.0	36.0	265.0	162.0	3.0	93.0	210.0	30.0 / 8x
DN100	PN160	B1	81.0	40.0	265.0	162.0	3.0	93.0	210.0	30.0 / 8x
DN100	PN250	B1	81.0	54.0	300.0	162.0	3.0	93.0	235.0	33.0 / 8x
DN100	PN320	B1	81.0	65.0	335.0	162.0	3.0	93.0	265.0	36.0 / 8x
DN100	PN400	B1	81.0	80.0	370.0	162.0	3.0	93.0	295.0	39.0 / 8x

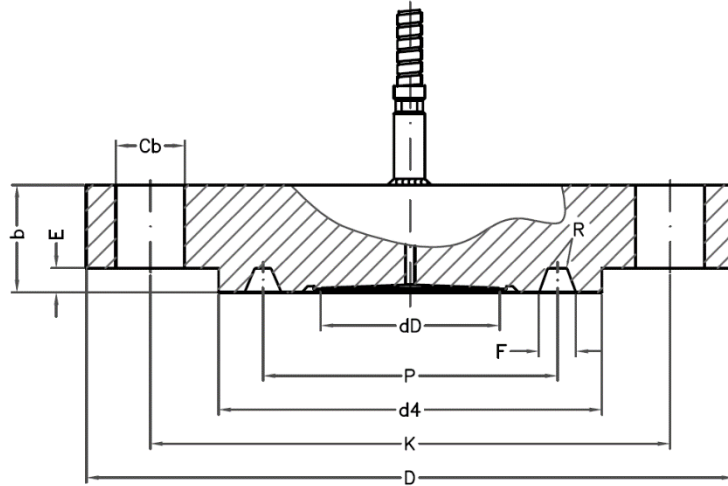
All dimensions in mm

JIS B2220 - RF FACING

size	rating	facing	dD	b	D	d4	f	Gs	K	Cb / pcs
25	10K	RF	32.0	15.0	125.0	67.0	1.0	40.0	90.0	19.0 / 4x
25	16K	RF	32.0	15.0	125.0	67.0	1.0	40.0	90.0	19.0 / 4x
25	20K	RF	32.0	17.0	125.0	67.0	1.0	40.0	90.0	19.0 / 4x
32	10K	RF	44.0	18.0	135.0	76.0	2.0	50.6	100.0	19.0 / 4x
32	16K	RF	44.0	18.0	135.0	76.0	2.0	50.6	100.0	19.0 / 4x
32	20K	RF	44.0	20.0	135.0	76.0	2.0	50.6	100.0	19.0 / 4x
40	10K	RF	44.0	18.0	140.0	81.0	2.0	55.4	105.0	19.0 / 4x
40	16K	RF	44.0	18.0	140.0	81.0	2.0	55.4	105.0	19.0 / 4x
40	20K	RF	44.0	20.0	140.0	81.0	2.0	55.4	105.0	19.0 / 4x
50	10K	RF	57.0	18.0	155.0	96.0	2.0	68.5	120.0	19.0 / 4x
50	16K	RF	57.0	18.0	155.0	96.0	2.0	68.5	120.0	19.0 / 8x
50	20K	RF	57.0	20.0	155.0	96.0	2.0	68.5	120.0	19.0 / 8x
80	10K	RF	81.0	20.0	185.0	126.0	2.0	93.0	150.0	19.0 / 8x
80	16K	RF	81.0	22.0	200.0	132.0	2.0	93.0	160.0	23.0 / 8x
80	20K	RF	81.0	24.0	200.0	132.0	2.0	93.0	160.0	23.0 / 8x
90	10K	RF	81.0	20.0	195.0	136.0	2.0	93.0	160.0	19.0 / 8x
90	16K	RF	81.0	22.0	210.0	145.0	2.0	93.0	170.0	23.0 / 8x
90	20K	RF	81.0	26.0	210.0	145.0	2.0	93.0	170.0	23.0 / 8x
100	10K	RF	81.0	20.0	210.0	151.0	2.0	93.0	175.0	19.0 / 8x
100	16K	RF	81.0	24.0	225.0	160.0	2.0	93.0	185.0	23.0 / 8x
100	20K	RF	81.0	26.0	225.0	160.0	2.0	93.0	185.0	23.0 / 8x

All dimensions in mm

DRAWING AND DIMENSIONS RJF FACING

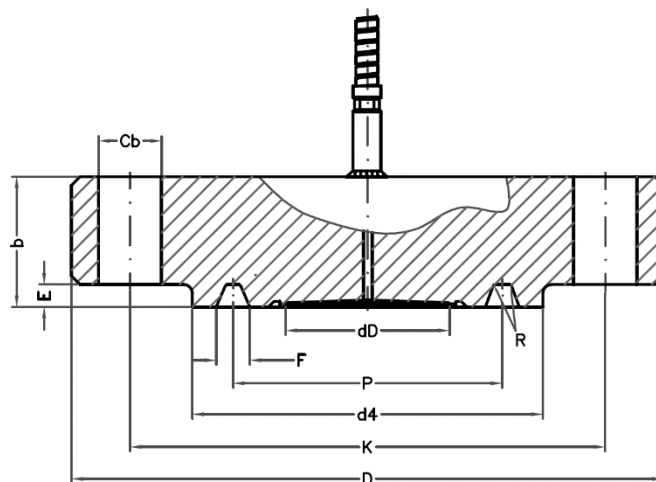


ASME B16.5 - RJF FACING

size	rating	facing	dD	b	D	d4	E	F	K	P	R	Cb / pcs	Ring #
1"	cl. 150	RJF	32.0	19.1	110.0	63.5	6.4	8.7	79.4	47.6	0.8	15.9 / 4x	15
1"	cl. 300	RJF	32.0	22.3	125.0	70.0	6.4	8.7	88.9	50.8	0.8	19.1 / 4x	16
1"	cl. 400-600	RJF	32.0	23.9	125.0	70.0	6.4	8.7	88.9	50.8	0.8	19.1 / 4x	16
1"	cl. 900-1500	RJF	32.0	35.0	150.0	71.5	6.4	8.7	101.6	50.8	0.8	25.4 / 4x	16
1"	cl. 2500	RJF	32.0	41.4	160.0	82.5	6.4	8.7	108.0	60.3	0.8	25.4 / 4x	18
1.25"	cl. 150	RJF	32.0	22.3	115.0	73.0	6.4	8.7	88.9	57.2	0.8	15.9 / 4x	17
1.25"	cl. 300	RJF	44.0	23.9	135.0	79.5	6.4	8.7	98.4	60.3	0.8	19.1 / 4x	18
1.25"	cl. 400-600	RJF	44.0	27.1	135.0	79.5	6.4	8.7	98.4	60.3	0.8	19.1 / 4x	18
1.25"	cl. 900-1500	RJF	44.0	35.0	160.0	81.0	6.4	8.7	111.1	60.3	0.8	25.4 / 4x	18
1.25"	cl. 2500	RJF	44.0	46.0	185.0	102.0	7.9	11.9	130.2	72.2	0.8	28.6 / 4x	21
1.5"	cl. 150	RJF	44.0	22.3	125.0	82.5	6.4	8.7	98.4	65.1	0.8	15.9 / 4x	19
1.5"	cl. 300	RJF	44.0	25.5	155.0	90.5	6.4	8.7	114.3	68.3	0.8	22.3 / 4x	20
1.5"	cl. 400-600	RJF	44.0	28.7	155.0	90.5	6.4	8.7	114.3	68.3	0.8	22.3 / 4x	20
1.5"	cl. 900-1500	RJF	44.0	38.2	180.0	92.0	6.4	8.7	123.8	68.3	0.8	28.6 / 4x	20
1.5"	cl. 2500	RJF	44.0	52.4	205.0	114.0	7.9	11.9	146.0	95.3	0.8	31.8 / 4x	23
2"	cl. 150	RJF	57.0	23.9	150.0	102.0	6.4	8.7	120.7	82.6	0.8	19.1 / 4x	22
2"	cl. 300	RJF	57.0	28.6	165.0	108.0	7.9	11.9	127.0	82.6	0.8	19.1 / 8x	23
2"	cl. 400-600	RJF	57.0	33.3	165.0	108.0	7.9	11.9	127.0	82.6	0.8	19.1 / 8x	23
2"	cl. 900-1500	RJF	57.0	46.0	215.0	124.0	7.9	11.9	165.1	95.3	0.8	25.4 / 8x	24
2"	cl. 2500	RJF	57.0	58.8	235.0	133.0	7.9	11.9	171.4	101.6	0.8	28.6 / 8x	26
3"	cl. 150	RJF	81.0	28.7	190.0	133.0	6.4	8.7	152.4	114.3	0.8	19.1 / 4x	29
3"	cl. 300	RJF	81.0	34.9	210.0	146.0	7.9	11.9	168.3	123.8	0.8	22.3 / 8x	31
3"	cl. 400-600	RJF	81.0	39.7	210.0	146.0	7.9	11.9	168.3	123.8	0.8	22.3 / 8x	31
3"	cl. 900	RJF	81.0	46.0	240.0	156.0	7.9	11.9	190.5	123.8	0.8	25.4 / 8x	31
3"	cl. 1500	RJF	81.0	55.6	265.0	168.0	7.9	11.9	203.2	136.5	0.8	31.8 / 8x	35
3"	cl. 2500	RJF	81.0	76.2	305.0	168.0	9.5	13.5	228.6	127.0	1.5	34.9 / 8x	32
4"	cl. 150	RJF	81.0	28.7	230.0	171.0	6.4	8.7	190.5	149.2	0.8	19.1 / 8x	36
4"	cl. 300	RJF	81.0	38.1	255.0	175.0	7.9	11.9	200.0	149.2	0.8	22.3 / 8x	37
4"	cl. 400	RJF	81.0	42.9	255.0	175.0	7.9	11.9	200.0	149.2	0.8	25.4 / 8x	37
4"	cl. 600	RJF	81.0	46.0	275.0	175.0	7.9	11.9	215.9	149.2	0.8	25.4 / 8x	37
4"	cl. 900	RJF	81.0	52.4	290.0	181.0	7.9	11.9	235.0	149.2	0.8	31.8 / 8x	37
4"	cl. 1500	RJF	81.0	61.9	310.0	194.0	7.9	11.9	241.3	161.9	0.8	34.9 / 8x	39
4"	cl. 2500	RJF	81.0	87.3	355.0	203.0	11.1	16.7	273.0	157.2	1.5	41.3 / 8x	38

All dimensions in mm

DRAWING AND DIMENSIONS API FACING



API 6A ISO 10423 - TYPE 6BX

size	rating	dD	b	D	d4	E	F	K	P	R	Cb / pcs	ring
1-13/16"	6BX 69MPa	32.0	42.1	185.0	105.0	5.6	11.8	146.1	65.9	0.8	23.0 / 8x	BX-151
1-13/16"	6BX 103,5MPa	32.0	45.3	210.0	106.0	5.6	11.8	160.3	65.9	0.8	26.0 / 8x	BX-151
1-13/16"	6BX 138MPa	32.0	63.5	255.0	117.0	5.6	11.8	203.2	65.9	0.8	29.0 / 8x	BX-151
2-1/16"	6BX 69MPa	44.0	44.1	200.0	111.0	5.9	12.7	158.8	73.6	0.8	23.0 / 8x	BX-152
2-1/16"	6BX 103,5MPa	44.0	50.8	220.0	114.0	5.9	12.7	174.6	73.6	0.8	26.0 / 8x	BX-152
2-1/16"	6BX 138MPa	44.0	71.5	285.0	132.0	5.9	12.7	230.2	73.6	0.8	32.0 / 8x	BX-152
2-9/16"	6BX 69MPa	57.0	51.2	230.0	132.0	6.8	14.1	184.2	88.7	0.8	26.0 / 8x	BX-153
2-9/16"	6BX 103,5MPa	57.0	57.2	255.0	133.0	6.8	14.1	200.0	88.7	0.8	29.0 / 8x	BX-153
2-9/16"	6BX 138MPa	57.0	79.4	325.0	151.0	6.8	14.1	261.9	88.7	0.8	35.0 / 8x	BX-153
3-1/16"	6BX 69MPa	72.0	58.4	270.0	152.0	7.5	15.4	215.9	103.6	0.8	29.0 / 8x	BX-154
3-1/16"	6BX 103,5MPa	72.0	64.3	290.0	154.0	7.5	15.4	230.2	103.6	0.8	32.0 / 8x	BX-154
3-1/16"	6BX 138MPa	72.0	85.8	355.0	171.0	7.5	15.4	287.3	103.6	0.8	39.0 / 8x	BX-154

All dimensions in mm

API 6A ISO 10423 - TYPE 6B

size	rating	dD	b	D	d4	E	F	K	P	R	Cb / pcs	ring
2-1/16"	6B 13.8MPa	44.0	33.4	165.0	108.0	7.9	11.9	127.0	82.6	0.8	20.0 / 8x	R or RX-23
2-1/16"	6B 20.7MPa	44.0	46.1	215.0	124.0	7.9	11.9	165.1	95.2	0.8	26.0 / 8x	R or RX-24
2-1/16"	6B 34.5MPa	44.0	46.1	215.0	124.0	7.9	11.9	165.1	95.2	0.8	23.0 / 8x	R or RX-24
2-9/16"	6B 13.8MPa	72.0	36.6	190.0	127.0	7.9	11.9	149.2	101.6	0.8	29.0 / 8x	R or RX-26
2-9/16"	6B 20.7MPa	72.0	49.3	245.0	137.0	7.9	11.9	190.5	107.9	0.8	23.0 / 8x	R or RX-27
2-9/16"	6B 34.5MPa	72.0	49.3	245.0	137.0	7.9	11.9	190.5	107.9	0.8	26.0 / 8x	R or RX-27
3-1/8"	6B 13.8MPa	81.0	39.7	210.0	146.0	7.9	11.9	168.3	123.8	0.8	32.0 / 8x	R or RX-31
3-1/8"	6B 20.7MPa	81.0	46.1	240.0	156.0	7.9	11.9	190.5	123.8	0.8	20.0 / 8x	R or RX-31
3-1/8"	6B 34.5MPa	81.0	55.6	265.0	168.0	7.9	11.9	203.2	136.5	0.8	26.0 / 8x	R or RX-35

All dimensions in mm



Holland – United Kingdom – Romania – India – Thailand – Dubai – USA

To our knowledge, the information contained herein is accurate as of the date of this document. However neither Badotherm, nor its affiliates makes any warranty, express or limited, or accepts any liability in connection with this information or its use. This information is for technical skilled persons at their own discretion and risk and does not relate to the use of this product in combination with any other product. The user alone finally determines suitability of any information or material in contemplated use, the manner of use and whether any patents are infringed. This information gives typical properties only.

Badotherm reserves the right to make changes to the specifications and materials without prior notice. The latest version of the datasheet can be found on www.badotherm.com.

© 2015 Badotherm, all rights reserved. Trademarks and/or other products referenced herein are either trademarks or registered trademarks of Badotherm.