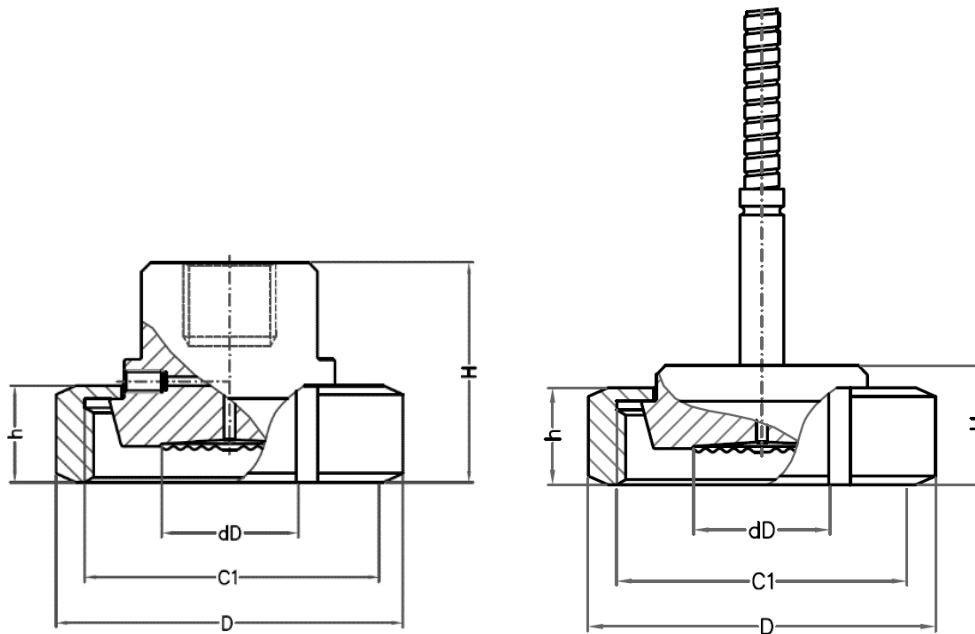


Badotherm sanitary seals are designed for pressure, level and flow measurements in food & beverage and pharmaceutical industries where the formation of bacteria needs to be prevented by reducing or eliminating blind spaces where process product could remain and thus creating impurities, bacteria by e.g. fermentation. As such these seals allow for easy cleaning by means of either threaded or clamp quick couplings. These seals are standard in stainless steel AISI 316(L). All these seals and fill fluid are suitable for CIP (Cleaning In Process) applications. Other aseptic flanged sanitary connections are available on request.


STANDARD EXECUTION – SAF / SAM

DIAPHRAGM	BODY	SURFACE FINISH WETTED PARTS	MOUNTING CONNECTION
AISI 316(L)	AISI 316(L)	Ra < 0.8 µm	top (axial)

COUPLING NUT SAF
AISI 304

FEMALE THREADED PROCESS CONNECTIONS - SAF

DIN 11851

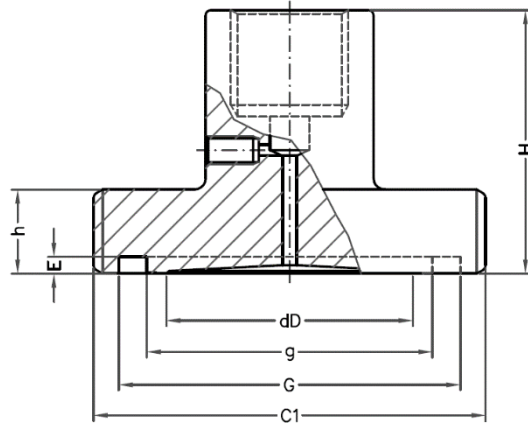
size	rating	dD	D	h	H	C1
DN25	PN40	20	63	21	21	Rd52 x 1/6"
DN32	PN40	25	70	21	21	Rd58 x 1/6"
DN40	PN40	32	78	21	21	Rd65 x 1/6"
DN50	PN25	44	92	22	22	Rd78 x 1/6"
DN80	PN25	72	127	30	29	Rd110 x 1/6"

All dimensions in mm

SMS 1145

size	rating	dD	D	h	H	C1
1.5"	PN40	32	74	25	25	Rd60 x 1/6"
2"	PN40	44	84	26	26	Rd70 x 1/6"

All dimensions in mm

MALE THREADED PROCESS CONNECTIONS - SAM

DIN 11851

size	rating	dD	E	g	G	h	H	C1
DN25	PN40	20	3.5	30	40	15	47	Rd52 x 1/6"
DN32	PN40	25	3.5	36	46	15	47	Rd58 x 1/6"
DN40	PN40	32	3.5	42	52	15	47	Rd65 x 1/6"
DN50	PN25	44	3.5	54	64	16	48	Rd78 x 1/6"
DN80	PN25	72	3.5	85	95	21	50	Rd110 x 1/6"

All dimensions in mm

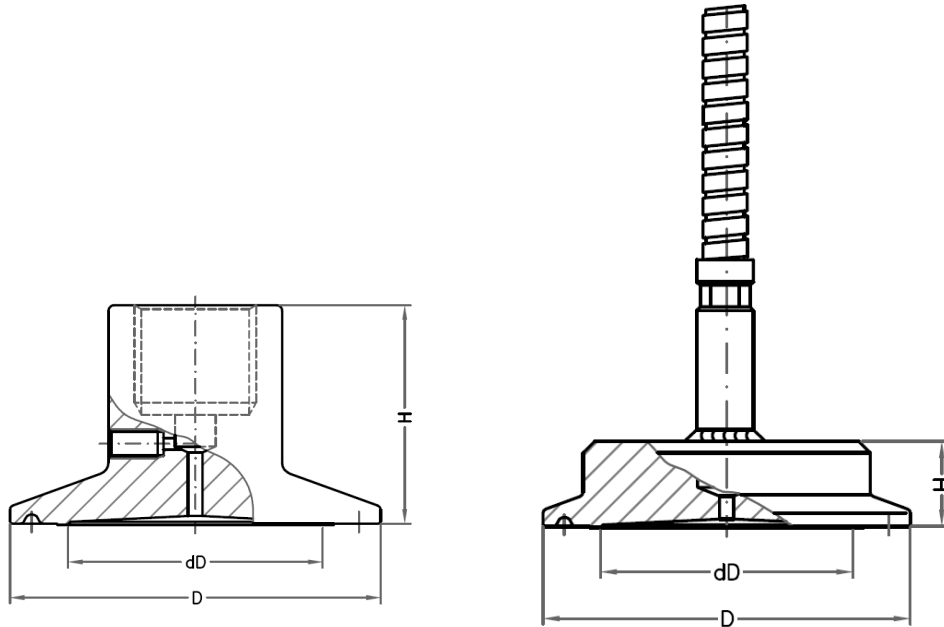
SMS 1145

size	rating	dD	E	g	G	h	H	C1
1.5"	PN40	32	3.0	38	48	15	47	Rd60*1/6
2"	PN40	44	3.0	51	61	15	47	Rd70*1/6

All dimensions in mm

STANDARD EXECUTION – SAT

DIAPHRAGM	BODY	SURFACE FINISH WETTED PARTS	MOUNTING CONNECTION
AISI 316(L)	AISI 316(L)	Ra < 0.8 µm	top (axial)

CLAMP PROCESS CONNECTIONS – SAT

TRI-CLAMP ISO - 2852

size	DN	For pipe	rating	dD	D	H _{thread}	H _{capillary}
1.5"	25	25.6x22.6	PN40	32	50.5	38	15
2"	40	40.6x37.6	PN40	44	64.0	38	15
2.5"	63.5	64.1x60.3	PN25	52	78.0	30	15
3"	76.1	76.7x72.9	PN25	72	91.0	30	15
4"	101.6	102.5x97.6	PN25	81	119.0r	30	15

Note: for maximum pressure rating refer to the clamp specifications; dimensions suitable for pipe per ISO 2037 and BS 4825 part 1
All dimensions in mm

TRI-CLAMP DIN 32676

size	For pipe	rating	dD	D	H _{thread}	H _{capillary}
40	41x38	PN40	32	51	38	15
50	53x50	PN40	44	64	38	15
65	70x66	PN25	52	91	30	15
80	85x81	PN25	72	106	30	15
100	104x100	PN25	81	119	30	15

Note: for maximum pressure rating refer to the clamp specifications; dimensions suitable for pipe acc. DIN 11866 row A or DIN 11850 row 2
All dimensions in mm

size	For pipe	rating	dD	D	H _{thread}	H _{capillary}
42.4	42.4x38.4	PN40	32	64.0	38	15
48.3	48.3x44.3	PN40	32	64.0	38	15
60.3	60.3x56.3	PN40	44	77.5	30	15
76.1	76.1x72.1	PN25	58	91.0	30	15
88.9	88.9x84.3	PN25	72	106.0	30	15

Note: for maximum pressure rating refer to the clamp specifications; dimensions suitable for pipe acc. DIN 11866 row B or ISO1127 row 1
All dimensions in mm

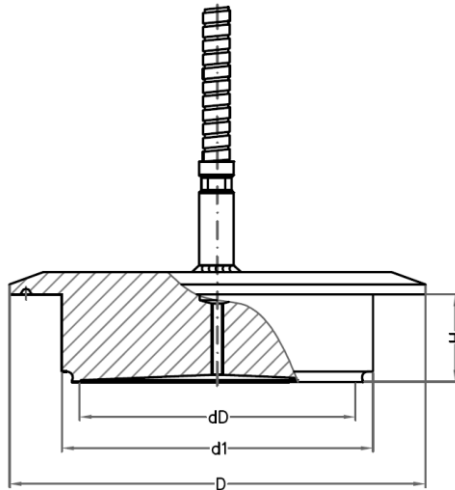
size	For pipe	rating	dD	D	H _{thread}	H _{capillary}
1"	25.4x22.1	PN40	20	50.5	38	15
1.5"	38.1x34.8	PN40	23	50.5	38	15
2"	50.8x47.5	PN40	44	64.0	30	15
2.5"	63.5x60.2	PN40	50	77.5	30	15
3"	76.2x72.9	PN25	58	91.0	30	15

Note: for maximum pressure rating refer to the clamp specifications; dimensions suitable for pipe acc. DIN 11866 row C or ASME BPE
All dimensions in mm

STANDARD EXECUTION – SA-TS

DIAPHRAGM	BODY	SURFACE FINISH WETTED PARTS	MOUNTING CONNECTION
AISI 316(L)	AISI 316(L)	Ra < 0.8 μm	top (axial)

CLAMP PROCESS CONNECTIONS – SA-TS



TANK SPUD

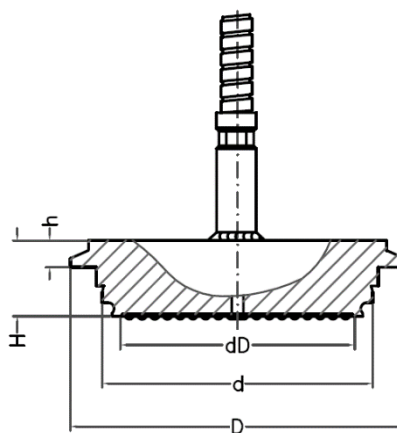
Extension length	rating	dD	d1	D	H
2"	PN40	81	100	133	54
6"	PN40	81	100	133	152

All dimensions in mm

STANDARD EXECUTION – SA-V

DIAPHRAGM	BODY	SURFACE FINISH WETTED PARTS	MOUNTING CONNECTION
AISI 316(L)	AISI 316(L)	Ra < 0.8 μm	top (axial)

CLAMP PROCESS CONNECTIONS – SA-V



VARIVENT®

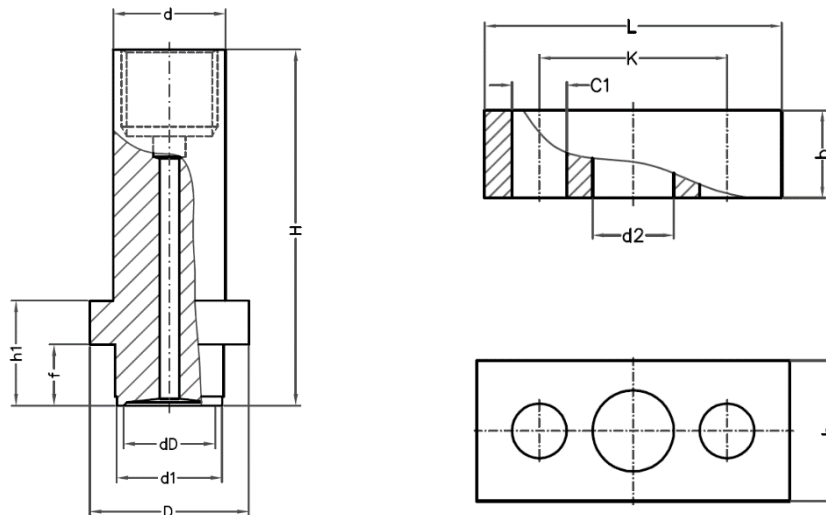
Connection	Size VARILINE®	rating	dD	d	D	h	H	Clamp
Type F	DN25/ISO25 and 1"	PN40	44	50	66	5	19	66
Type N	DN40-DN125 / ISO32-100 and 1.5"-6"	PN40	57	68	84	5	19	84

All dimensions in mm

STANDARD EXECUTION – SA-HOM

DIAPHRAGM	BODY	SURFACE FINISH WETTED PARTS	MOUNTING CONNECTION
AISI 316(L)	AISI 316(L)	Ra < 0.8 µm	top (axial)

HOMOGENISER PROCESS CONNECTIONS – SA-HOM



size	rating	dD	b	d	d1	d2	D	f	h1	H	K	C1	Lxh
Block 95x45	PN600	20	30	25	24	25	35	13	23	78	60	17.5	95x45

All dimensions in mm