

Badotherm supplies different types of manifolds. For easy installation of the manifold in the process environment specific mounting brackets can be ordered.



MATERIAL SPECIFICATIONS

BRACKET	U-BOLTS	NUTS	MOUNTING BOLTS
AISI316 (L)	A4-70	A4	A4-70

COMPATIBILITY TABLE

one valve	bracket set	two valves	bracket set	three valves	bracket set	five valves	bracket set
BDTV910	5 or 6	BDTM921	1 or 2	BDTM931	3 or 4	BDTM951	1 or 2
BDTV911	5 or 6	BDTM922	1 or 2	BDTM932	1 or 2	BDTM952	1 or 2
BDTV912	5 or 6	BDTM923	1 or 2	BDTM933	-	BDTM953	1 or 2
		BDTM924	5 or 6	BDTM934	1 or 2	BDTM954	1 or 2
		BDTM925	-	BDTM935	1 or 2	BDTM955	3 or 4
				BDTM936	1 or 2	BDTM956	1 or 2
						BDTM957	1 or 2
						BDTM958	-

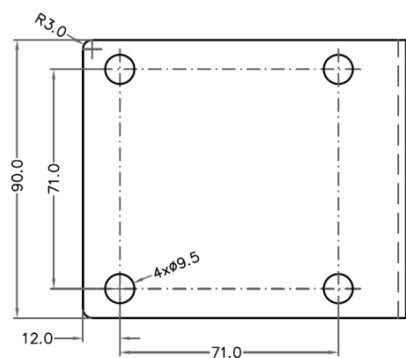
TECHNICAL SPECIFICATIONS

bracket set	bracket	U-bolt + nuts	mounting bolt	nuts	spring lock washer	manifold body
Set 1	90° angle	M8 - A4-70	M6x45 - A4-70	M6 - A4	M6 - A4	stainless steel
Set 2	Straight	M8 - A4-70	M6x45 - A4-70	M6 - A4	M6 - A4	stainless steel
Set 3	90° angle	M8 - A4-70	M10x12 - A4-70	-	M10 - A4	stainless steel
Set 4	Straight	M8 - A4-70	M10x12 - A4-70	-	M10 - A4	stainless steel
Set 5	Distance	M8 - A4-70	M5x12 - A4-70	-	M5 - A4	stainless steel
Set 6	Distance	M8 - A4-70	M5x12 - A4-70	-	M5 - A4	exotic material

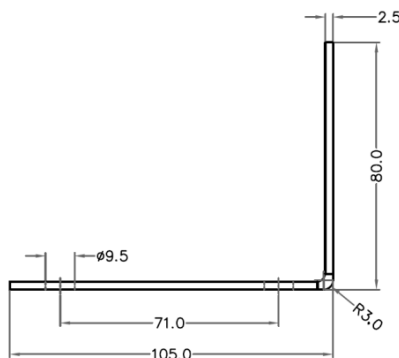
Note: All brackets are supplied with suitable fixture materials

BRACKET SET INFORMATION

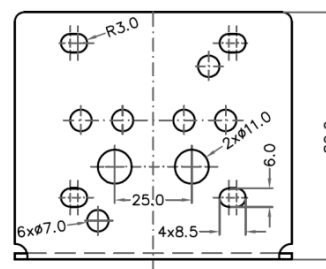
SET 1 & 3 - 90° ANGLE



pipe mounting

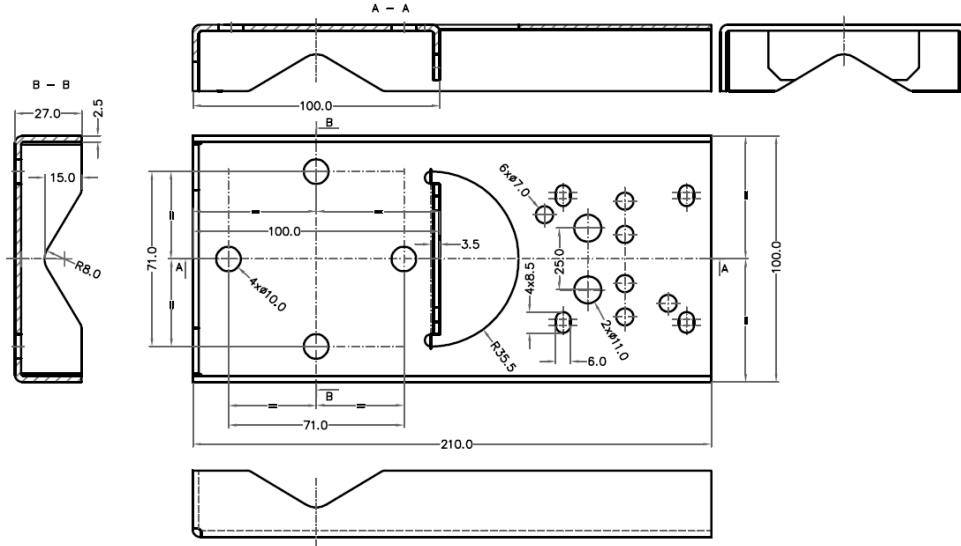


side view

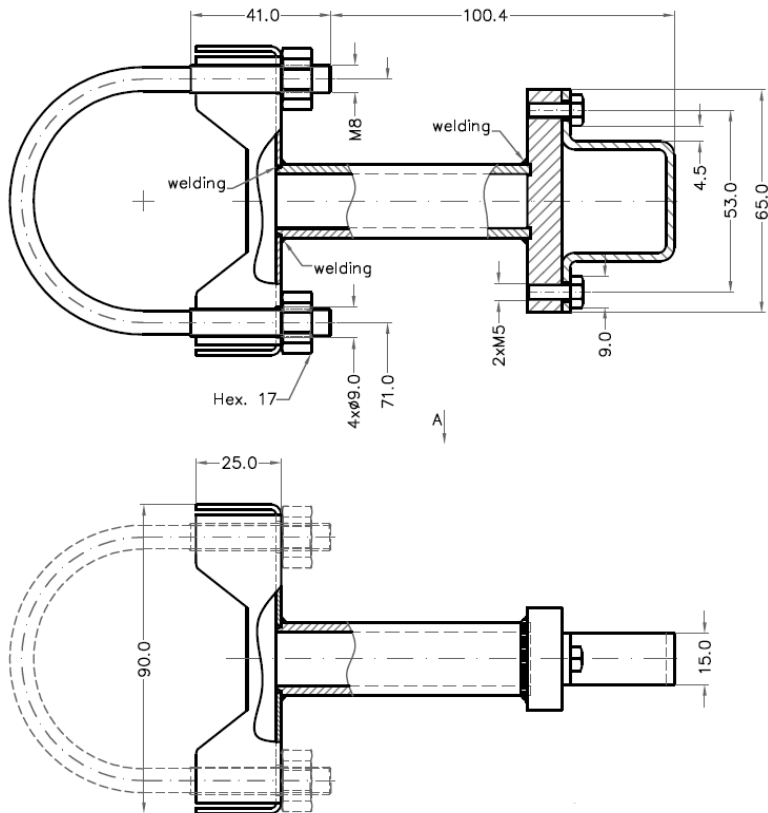


manifold mounting

SET 2 & 4 - STRAIGHT



SET 5 & 6 - DISTANCE





Holland – UK – Romania – India – Thailand – Dubai - USA

To our knowledge, the information contained herein is accurate as of the date of this document. However neither Badotherm, nor its affiliates makes any warranty, express or limited, or accepts any liability in connection with this information or its use. This information is for technical skilled persons at their own discretion and risk and does not relate to the use of this product in combination with any other product. The user alone finally determines suitability of any information or material in contemplated use, the manner of use and whether any patents are infringed. This information gives typical properties only.

Badotherm reserves the right to make changes to the specifications and materials without prior notice. The latest version of the datasheet can be found on www.badotherm.com.

© 2001 Badotherm, all rights reserved. Trademarks and/or other products referenced herein are either trademarks or registered trademarks of Badotherm. Registered trade names are Hastelloy, Inconel, Monel, and Stellite.

modified 20-06-2014

page 3 of 3